

General Description

The K6 powering module is the heart of this Sennheiser professional modular microphone system and can be powered either by its internal 'AA' size 1.5 V battery or by 12 – 48 V phantom power. The K6 can be combined with different condenser microphone heads to provide a wide variety of polar patterns. Matt black, anodised scratch-resistant finish.



Cable pictured is an accessory not supplied with the powering module

Features

- Switchable bass roll-off filter protects against rumble, handling, pop and wind noise
- On/off switch with battery test
- High output, low noise
- Transformerless balanced output on 3-pin XLR connector
- Delivery includes: 1 K6 powering module
1 MZQ 200 microphone clamp
1 AA battery
1 protective carrying case

Recommended Accessories

- | | |
|--|-----------------|
| ■ ME 62 microphone head, omni-directional | Cat. No. 003281 |
| ■ ME 64 microphone head, cardioid | Cat. No. 003282 |
| ■ ME 65 microphone head, super-cardioid | Cat. No. 003283 |
| ■ ME 66 microphone head, short gun | Cat. No. 003284 |
| ■ ME 67 microphone head, long gun | Cat. No. 003285 |
| ■ MKE 2-60 Gold-C clip-on microphone, omni-directional | Cat. No. 004733 |
| ■ ME 102/104/105 mini-modular system | |
| ■ MZS 6 shock mount | Cat. No. 003287 |
| ■ MZQ 6 quick release clamp | Cat. No. 003288 |

Product Variants

Available from

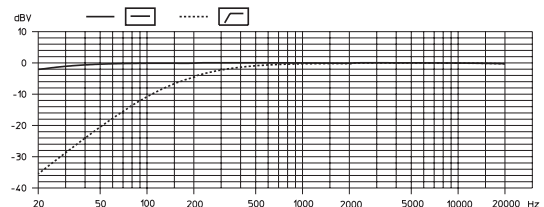
Quadrant Digital Solutions, Unit 1 Hawthorn Road
Castle Donington, Derby, DE74 2QR
Sales: 0870 084 1166, Fax: 01332 817778
information@quadrantdigital.co.uk



Technical Data

Frequency response	30 – 20,000 Hz - 1 dB
Transmission factor (1 kHz)	0 dB
Nominal impedance	200 Ω
Min. terminating impedance	1 kΩ
Max. output voltage	2 V (at 1 kHz)
Power supply	phantom 12 - 48 V (± 4 V) or 1.5 V AA size battery
Supply current	2.2 mA
Battery life	approx. 150 hrs
Dimensions	155 x Ø 22 mm
Resultant length*	94 mm
Weight	approx. 45 g

* Resultant length: this is the figure you need to add to the microphone head length to give the overall length of the complete microphone.



Profile

Powering module for battery/phantom powering with switchable roll-off filter, battery on/off switch with battery test. Suitable for ME 62 – ME 67 microphone heads and -60 versions of MKE microphones. Transmission factor 0 dB at 1 kHz, nominal impedance 200 Ω, min. terminating impedance 1 kΩ, max. output voltage 2 V (at 1 kHz), power supply: phantom powering 12 – 48 V or 1.5 V (AA size) alkaline battery, supply current 2.2 mA, battery life approx. 150 hrs, dimensions: Ø 22 x 155 mm, resultant length 94 mm, weight approx. 45 g.

ME 66

Microphones | Back-Electret Microphone Head Suitable for K6 and K6P Powering Modules

Cat. No. 003284

General Description

The ME 66 is a short gun microphone head designed for use with the K6 and K6P powering modules. It is especially suitable for reporting, film and broadcast location applications and for picking up quiet signals in noisy or acoustically live environments as it discriminates against sound not emanating from the main pick-up direction. Matt black, anodised, scratch-resistant finish.



Pictured with K6 powering module and cable (available separately)

Features

- Super-cardioid/lobar pick-up pattern
- Highly directional
- Low inherent self-noise
- High sensitivity
- Wide frequency response
- Delivery includes: 1 ME 66

Recommended Accessories

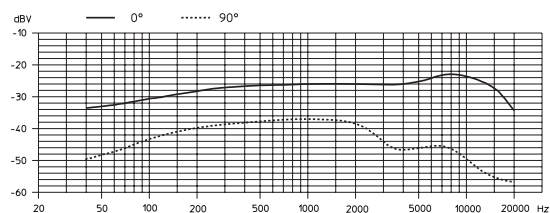
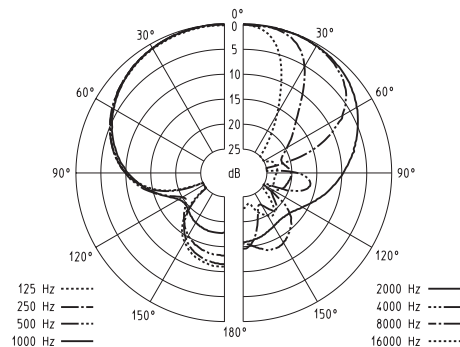
- MZW 66 foam windshield
- MZW 66 pro foam windshield

Cat. No. 003704

Cat. No. 003712

Technical Data

Pick-up pattern	super-cardioid/lobar
Frequency response	40 – 20,000 Hz ± 2.5 dB
Sensitivity (free field, no load) (1 kHz)	50 mV/Pa ± 2.5 dB
Nominal impedance	200 Ω (with K6)
Min. terminating impedance	1 kΩ (with K6)
Equivalent noise level	
A-weighted (DIN IEC 651)	10 dB
CCIR-weighted (CCIR 468-3)	21 dB
Max. SPL (1 kHz)	126 dB (THD = 1 %)
Dimensions	∅ 22.5 x 221 mm
Weight	65 g



Profile

Super-cardioid/lobar (short gun) microphone head suitable for K6 and K6P powering modules. Frequency response 40 – 20,000 Hz ± 2.5 dB, sensitivity (free field, no load) 50 mV/Pa ± 2.5 dB at 1 kHz, nominal impedance 200 Ω (with K6), min. terminating impedance 1 kΩ (with K6), equivalent noise level A-weighted 10 dB, CCIR-weighted 21 dB, max. SPL 126 dB at 1 kHz (THD = 1 %), dimensions ∅ 22.5 x 221 mm, weight 65 g.

Available from

Quadrant Digital Solutions, Unit 1 Hawthorn Road
 Castle Donington, Derby, DE74 2QR
 Sales: 0870 084 1166, Fax: 01332 817778
 information@quadrantdigital.co.uk

