

ELMO

P10S
Visual Presenter



With an Eye to Learning



P10S

Visual Presenter



The P10S brings field-trip realism to classroom presentations by capturing both moving and still images with unsurpassed clarity.

State-of-the-art ELMO technologies help teachers deliver visually enticing lessons that keep all eyes firmly fixed on learning.

85 progressive scan CCD camera

The P10S's advanced camera system integrates an 850,000-pixel progressive scan CCD pickup that's capable of capturing not only the finest details of images — but moving objects as well! Combined with true XGA (1024 x 768) resolution, the P10S reproduces three-dimensional objects and subtle shades of colour with unsurpassed precision.



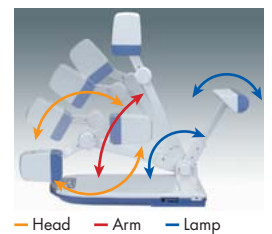
Capture crisp, live images

Now you can convey presentations more effectively and inspire your audience with vivid moving images on the big screen. With a frame rate of 20 fps, the P10S smoothly captures and reproduces moving images that can either be presented live or saved to your PC for future use.



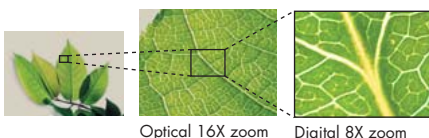
Flexible free-angle camera arm and lamp

The P10S's camera head can be rotated freely to capture objects at precise angles, making it easy to present objects with the exact look you want. And with the free-angle lamp, you also have all the flexibility you need to set ideal lighting conditions.

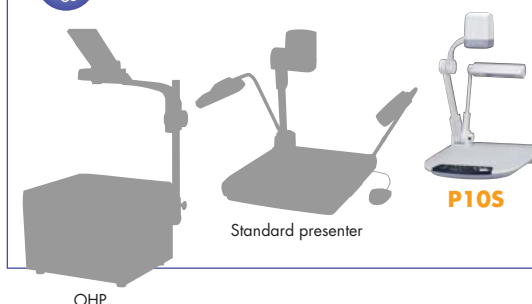


128X zoom

Focus in on the intricate details of your presentation with the 8X digital zoom function that can enlarge images up to 128 times when combined with the 16X optical zoom lens.



See how lightweight and compact the P10S is



Weighing in at just 4.7 kg — half the weight of standard models — and measuring approximately 48 cm from front to back, the P10S is lightweight and compact enough to comfortably hand carry to any location.

Education/Training

Display enlarged images of objects

Project the pages of a textbook

Showcase student projects

Put music and lyrics on view

Lightweight and Compact



Crystal Clear Expression





Versatile output

The P10S's versatile output connections bring you greater presentation freedom and flexibility. The DVI output lets you transfer high-quality video data without any loss of image quality, while an analogue RGB output makes it easy to connect the P10S to an LCD projector or a PC monitor for true XGA-resolution display.

User-friendly interface

For the ultimate in easy and intuitive operation, the P10S incorporates a Jog Dial zoom control for quick zoom adjustments as well as an OPT (optional) button that gives you the flexibility to assign a frequently used function to the front panel.



Jog Dial



Optional button



Quick and easy PC file transferring opens up a new world of possibilities.

With the convenience of bundled software, creating outstanding PC presentations has never been easier.

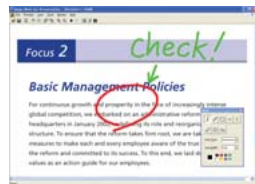
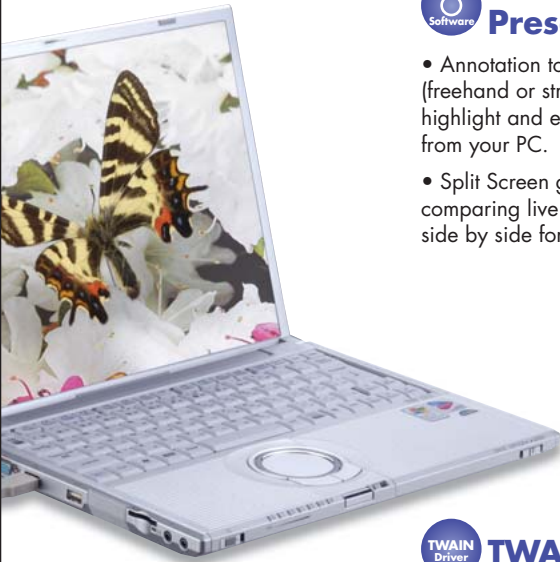
"Image Mate for Presentation"

- Annotation tools let you draw lines (freehand or straight) in a variety of colours to highlight and enhance screen images, right from your PC.
- Split Screen gives you a platform for comparing live video to stored images — side by side for greater visual impact.

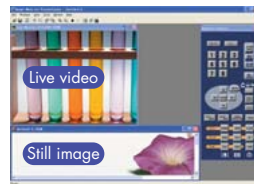
"Image Mate for Movie Creation"

- Moving images can be easily saved to a PC for future use as analogue RGB 850,000-pixel video files. Since files are saved in common AVI or WMV format, they can be played back effectively using Windows Media® Player*.

* AVI/WMV file playback is available with Windows Media Player versions 6.4 to 11.



Annotation



Split Screen function



Save video files

TWAIN driver

With TWAIN compatibility, the P10S brings you the versatility to import saved image files

to commercially available photo retouching software.

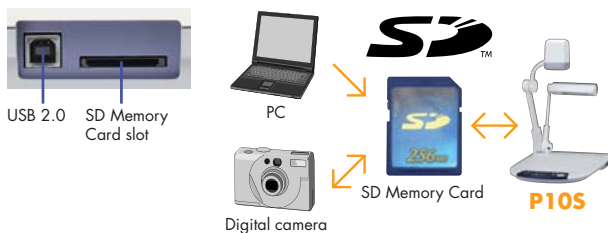
Make effective presentations – even without a PC!

SD Memory Card-ready

Now there's no need to bring a PC and other hardware to every presentation. The P10S lets you save images captured by it and record them onto an SD Memory Card for future use. Saved images can then be easily transferred back to a PC via a USB cable.

Split screen and slideshow display

Images previously saved to an SD Memory Card can be conveniently displayed as split screens (9 or 16 splits) or slideshows, enabling quick file searches and smooth operation.



Other key features

State presetting

Instead of having to readjust the machine every time you use it, the P10S lets you store up to six frequently used settings such as iris selection, white balance and lamp on/off. With quick and easy access to settings, your preferred adjustments are always ready to go.

A3-size shooting area

With a large A3-size shooting area, the P10S captures a wider image field compared to the conventional B4 size.

Cord cover

Cables are always neat and tidy thanks to the rear panel cord cover.



Note: The cord cover pictured here is made transparent for explanatory purposes.

P10S Specifications

Model		P10S
Camera	Image pickup device	1/3" progressive scan CCD, 850,000 pixels
	Total pixels	1077 (H) x 788 (V)
	Effective pixels	1034 (H) x 779 (V)
	Frame rate	20 frames/sec.
	Resolution	600 (H) x 600 (V) TV lines
	RGB output	450 (H) TV lines
	Video output	450 (H) TV lines
Optics	Zoom	Powered, 16X optical
	Lens	F2.8, f=4.7 to 75.2 mm
	Shooting area	Max. 405 x 303 mm, min. 29 x 22 mm
	Focus	Auto/Manual (powered)
	Iris	Auto (with level adjustment)/Manual
Functions	White balance	Full-auto/One-push/Manual
	Negative/positive conversion	Provided
	Text mode	Provided
	Edge enhancement	Provided
	Colour/B&W selection	Provided
	Pause mode	Provided
	Digital zoom	Provided (8x)
	Gamma adjustment	Provided
	OSD (on-screen display)	Provided
	Slideshow	Provided (SD Memory Card image)
	Split screen	Provided (SD Memory Card image, 9-split, 16-split)
	Image save	Provided (onto SD Memory Card)
	Image rotation	Provided (0°, 180°)
	State presetting	Provided (up to 6 user settings)
	Sync. system	Internal
Interface	Internal selection	Int./RGB
	Analogue RGB output	XGA (1024 x 768 @60 Hz)
	Video output	Composite (x 1), S-Video (x 1)
	DVI output	Provided (x 1)
	RGB input	Provided (x 1)
	RS-232C port	Provided (x 1)
	USB 2.0 port	Provided (x 1)
	Memory card	SD Memory Card slot
Lighting	Upper lighting unit	Provided (twin fluorescent lamp)
Others	Supplied accessories	AC adapter, Power cord (1.5 m), Video RCA cable (3 m), RGB cable (2 m), S-Video cable (2 m), USB cable (1.8 m), Instruction manual, IR remote control, Utility software (CD-ROM)
	Dimensions	Set up 377 x 482 x 582 mm
	(W x D x H)	Folded 377 x 482 x 180 mm
	Weight	Approx. 4.7 kg
	Application software	Image Mate for Presentation, Image Mate for Movie Creation, TWAIN driver (Windows® 2000 [SP4 or later], Windows® XP [SP2 or later], Windows Vista® [32-bit], Mac OS X)
Power source	DC 12V (AC adapter: AC 100 to 240V)	

H: horizontal, V: vertical

Design and specifications are subject to change without prior notice.

The images in this brochure are simulated.

"ELMO" is a trademark of ELMO COMPANY, LIMITED.

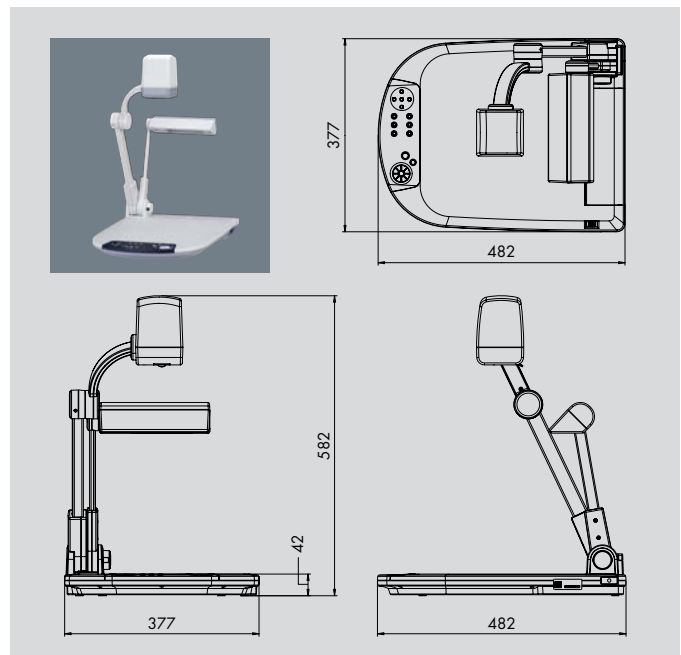
SD logo is a trademark. Other brand names and product names may be trademarks or registered trademarks of their respective owners.

ELMO's Helping to Provide a Greener Future for Our Children

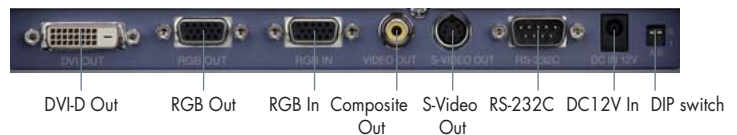
This ELMO product complies with RoHS Directive 2002/95/EC (Restriction Of the use of certain Hazardous Substances in electronic equipment). This compliance helps to ensure a healthier and greener environment for all our children.

Profile

All dimensions in mm



Rear Panel



Options



5.6-inch colour LCD monitor
LM-5611A
Monitor shoe
MS-30

What is a Document Camera?

Please visit our new website introducing you to the useful and effective ways of using the document camera. Let's start ICT in education with the document camera!

<http://www.elmo.co.jp/doc-cam/>



ELMO CO., LTD. is one of the sponsors for Japan Committee Vaccines for the World's Children (JCV).

JCV operates under basic guidelines and objectives of the Children's Vaccine Initiative (CVI) founded in 1990 by UNICEF, WHO, UNDP, the Rockefeller Foundation, and the World Bank.



ELMO CO., LTD. (Head Office and Factory's) QMS/EMS has been registered to ISO 9001 & 14001 : 2004.



ELMO CO., LTD.

6-14, Meizen-cho, Mizuho-ku
Nagoya, 467-8567, Japan
E-mail : overseassales@elmo.co.jp

Distributed by

Projector Source
Unit 1 Hawthorn Road
Castle Donington
Derby DE74 2QR
Sales: 0870 084 1166
Fax: 01332 817778

information@projectorsource.co.uk



Additional technical information is available from any of the following subsidiary companies:

ELMO (Europe) G.m.b.H.

Neanderstr. 18
40233 Düsseldorf, Germany
Tel. (0211) 386470 Fax. (0211) 376630
E-mail : info@elmoeurope.com
Web : <http://www.elmoeurope.com>

ELMO USA Corp.

Headquarters
1478 Old Country Road
Plainville, NY 11803-5034, U.S.A.
Tel. (516) 501-1400 Fax. (516) 501-0429
E-mail : elmo@elmousa.com
Web : <http://www.elmousa.com>

West Coast Branch

Cypress Pointe Business Park
5676 Corporate Avenue
Cypress, CA 90630, U.S.A.
Tel. (714) 828-8457 Fax. (714) 828-8429



This brochure is printed on recycled paper with soy ink.

Printed in Japan (O) 05/2008