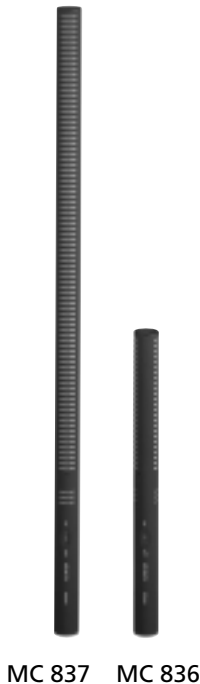


## MC 836

## MC 837

### Condenser Microphones



#### FEATURES

- Lobe/Cardioid polar pattern (MC 836)
- Lobe polar pattern (MC 837)
- Very wide frequency response
- Low frequency roll-off switch
- Phantom power supply 11 - 52 volts

#### APPLICATIONS

The rugged and lightweight MC 836 and MC 837 shotgun microphones have been designed to meet the demands of ENG and EFP applications. Due to their acoustical characteristics they are also suited for studio, film and theatre applications. The directional polar pattern helps to suppress lateral and background noise.

Both microphones operate according to the pressure gradient/line transducer technique. A switchable low frequency roll-off eliminates unwanted low frequencies at a cut-off frequency of 90 Hz. An integrated footfall sound insulation avoids the transmission of noise below 40 Hz. To avoid wind noise when used outdoors, a wind shield must be used.

Both microphones can be operated with a phantom power supply of 11 - 52 V.

#### VERSIONS

MC 836	Condenser microphone (short shotgun, lobe/cardioid) . . . . .	Order # 448.907
MC 837	Condenser microphone (long shotgun, lobe . . . . .	Order # 448.915

#### OPTIONAL ACCESSORIES

##### Power Supply Units

MSG 248.1	AC power supply for 2 microphones, for balanced and unbalanced inputs . . . . .	Order # 100.943
-----------	---	-----------------

##### Fishpole booms

MZA 716	Fishpole boom 0.96 - 3.15 m, incl. MZG 2 angle mount . . . . .	Order # 140.848
MZA 717	Fishpole boom 0.61 - 1.59 m . . . . .	Order # 400.807
MZA 718	Fishpole boom 0.93 - 3.20 m . . . . .	Order # 406.260
MZG 2	Angle mount for MZA 716/718 . . . . .	Order # 234.249

##### Windscreens

KWS 836 Set	consisting of KWS 726 basket-type windscreen, EA 726 elastic suspension and MZP 767 pistol grip for MC 836 . . . . .	Order # 431.230
KWS 837 Set	consisting of KWS 727 basket-type windscreen, EA 737 elastic suspension and MZP 767 pistol grip for MC 837 . . . . .	Order # 431.257
WS 716	Windscreen, charcoal-grey, for MC 836 . . . . .	Order # 134.538
WS 717	Windscreen, charcoal-grey, for MC 837 . . . . .	Order # 134.511
WJ 726	Windjammer for KWS 726 . . . . .	Order # 421.251
SWS 86	Softie incl. MZP 767 pistol grip for MC 836 . . . . .	Order # 421.278

##### Germany

Theresienstr. 8  
D-74072 Heilbronn  
Tel. +49 (0)71 31 / 6 17-0  
Fax +49 (0)71 31 / 617-224  
E-mail: info@beyerdynamic.de  
Internet: www.beyerdynamic.de

##### United States

56 Central Ave.  
Farmingdale, NY 11735  
Tel. +1 (631) 293-3200  
Fax +1 (631) 293-3288  
E-mail: salesUSA@beyerdynamic.com  
Internet: www.beyerdynamic.com

##### Great Britain

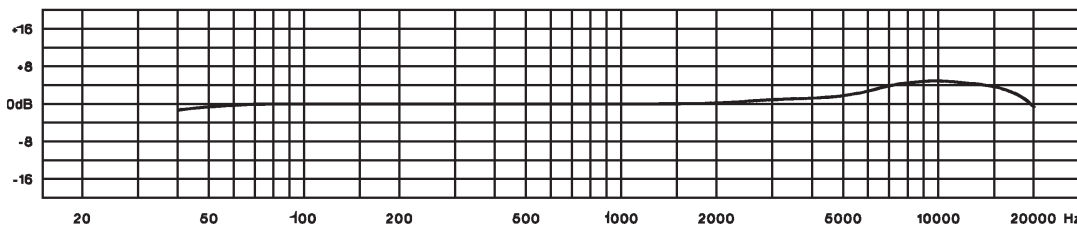
17 Albert Drive  
Burgess Hill RH15 9TN  
Tel. +44 (0)1444 / 258 258  
Fax +44 (0)1444 / 258 444  
E-mail: sales@beyerdynamic.co.uk  
Internet: www.beyerdynamic.co.uk

## TECHNICAL SPECIFICATIONS

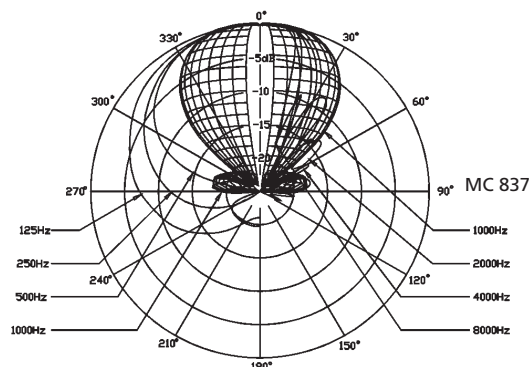
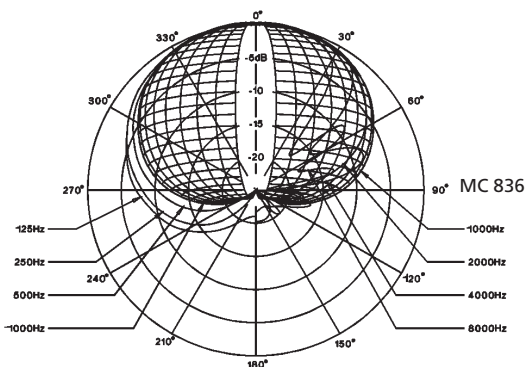
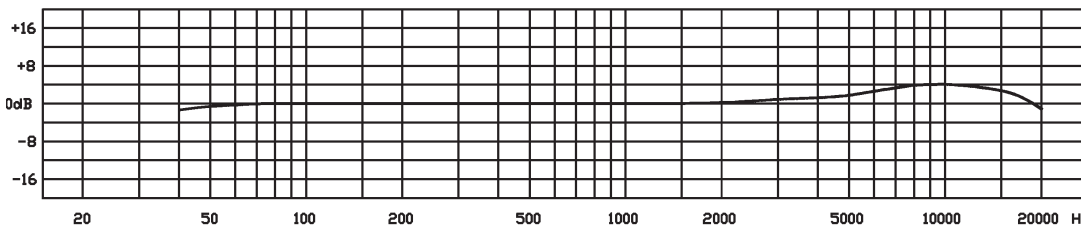
	<b>MC 836</b>	<b>MC 837</b>
Transducer type	condenser	condenser
Operating principle	pressure gradient/ line transducer technique	pressure gradient/ line transducer technique
Polar pattern	lobe/cardioid	lobe
Frequency response	40 - 20,000 Hz	40 - 20,000 Hz
Supply voltage	11-52 V phantom supply	11-52 V phantom supply
Current consumption	4.3 mA	4.3 mA
Open circuit voltage	30 mV/Pa	30 mV/Pa
Nominal impedance	180 Ω	180 Ω
Load impedance	1000 Ω	1000 Ω
Max. SPL	> 130 dB <sub>SPL</sub>	> 130 dB <sub>SPL</sub>
Equivalent nominal SPL	approx. 13 dB	approx. 13 dB
Connection	3-pin XLR mod. 2 = +, 3 = -, 1 = ground	3-pin XLR mod. 2 = +, 3 = -, 1 = ground
Dimensions: diameter	21 mm	21 mm
length	248 mm	516 mm
Weight	116 g	218 g

## FREQUENCY RESPONSE & POLAR PATTERN

Frequency response curve ± 2.5 dB 0 dB ≙ 30 mV/Pa MC 836



Frequency response curve ± 2.5 dB 0 dB ≙ 30 mV/Pa MC 837



Quadrant Visual Solutions, Unit 1 Hawthorn Road  
Castle Donington, Derby, DE74 2QR  
Sales: 0870 900 1212, Fax: 01332 817778  
sales@quadrantsolutions.com



Photos are non-contractual. Contents subject to change without notice.